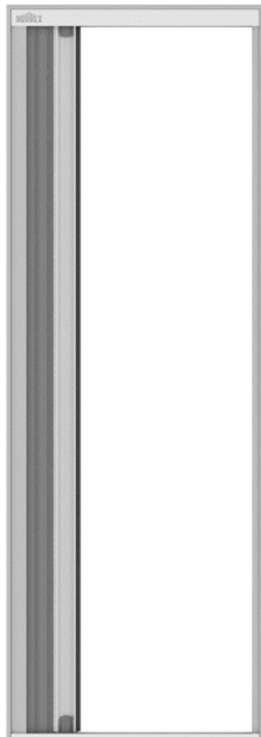


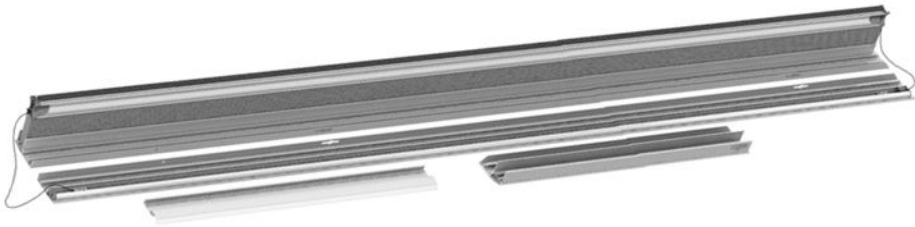


Assembly instructions

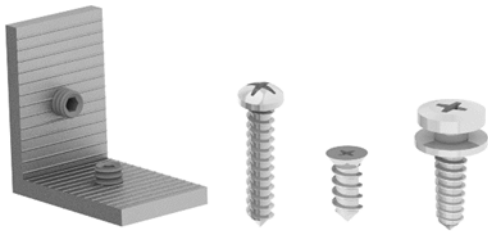
Pleated flyscreen through



Content



- Side profile with mesh package
- Closing profile
- Bottom profile
- Top profile
- 2x Corner connector
- 2x Screw 3 x 20mm 2x (Type 1)
- Screw 2.9 x 2.9mm 4x (Type 2)
- slotted hole screws 5.5 x 16mm (Type 3)



Necessities

- Pencil
- Tape measure
- Phillips screwdriver (PH2)
- Saw
- Allen key 2.5mm

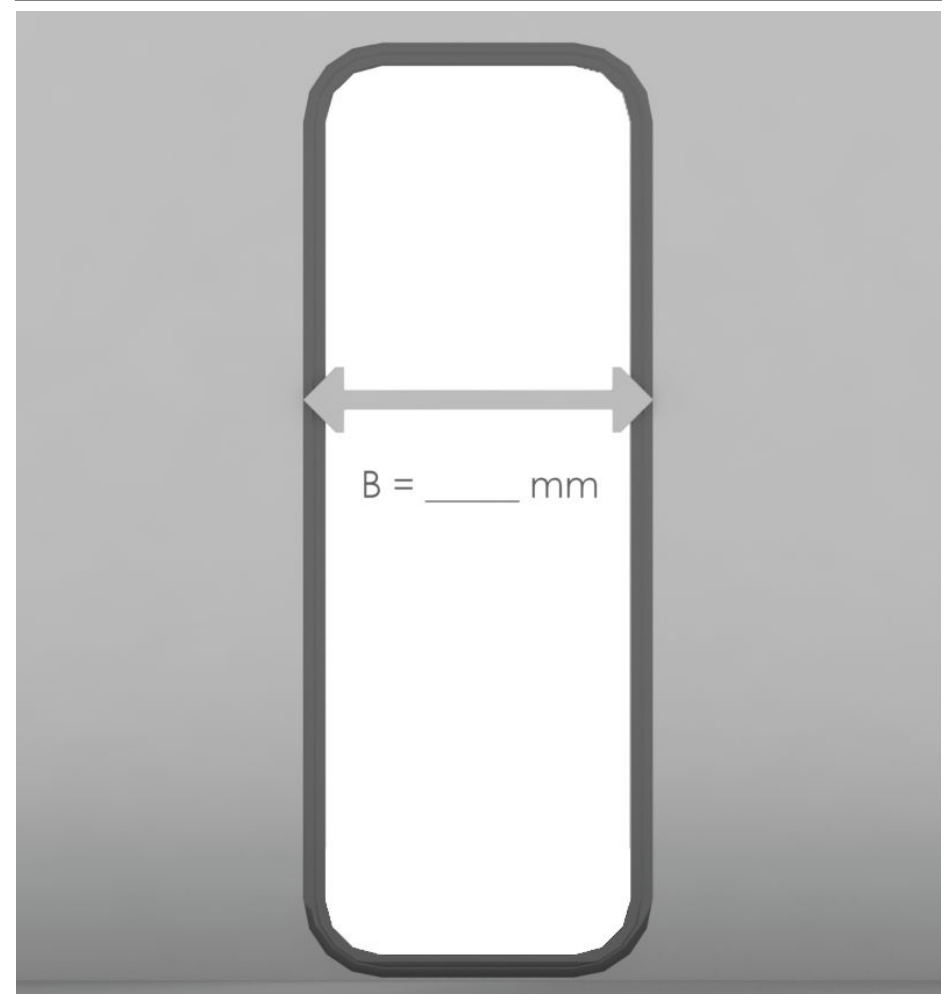
Warning: This product should only be installed by a professional technician. Horrex BV is not liable for damage caused by mounting this product.

1

Measure the width of the doorway plus the rubber.

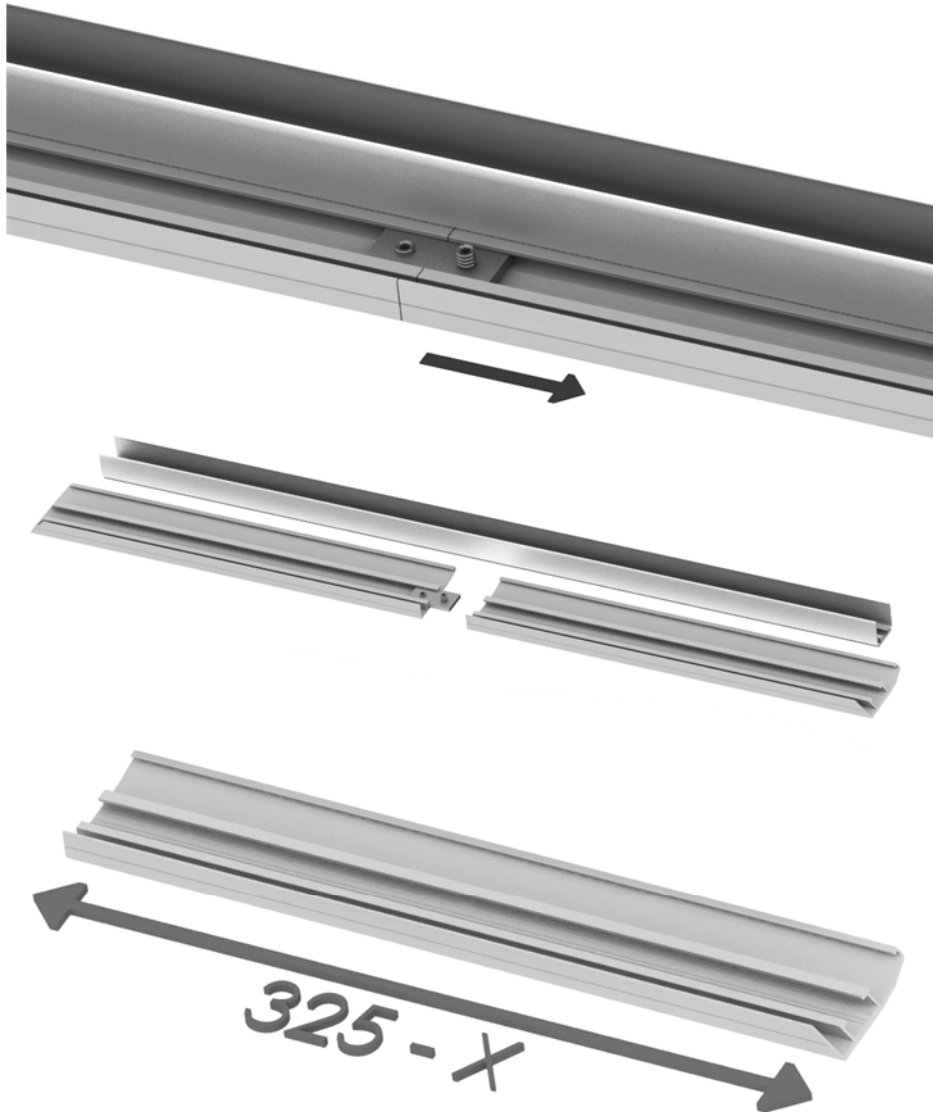
If it is smaller than 625mm, the bottom guide, top guide and top profile must be shortened. You determine how much the profiles should be shortened with the following formula: $X = 625 - B$.

If your door does not need to be shortened, continue with step 4.

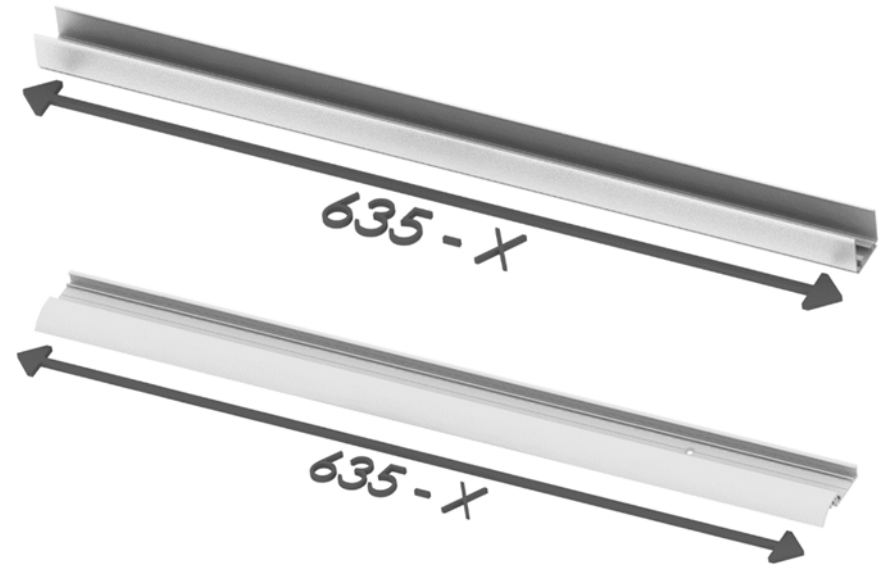




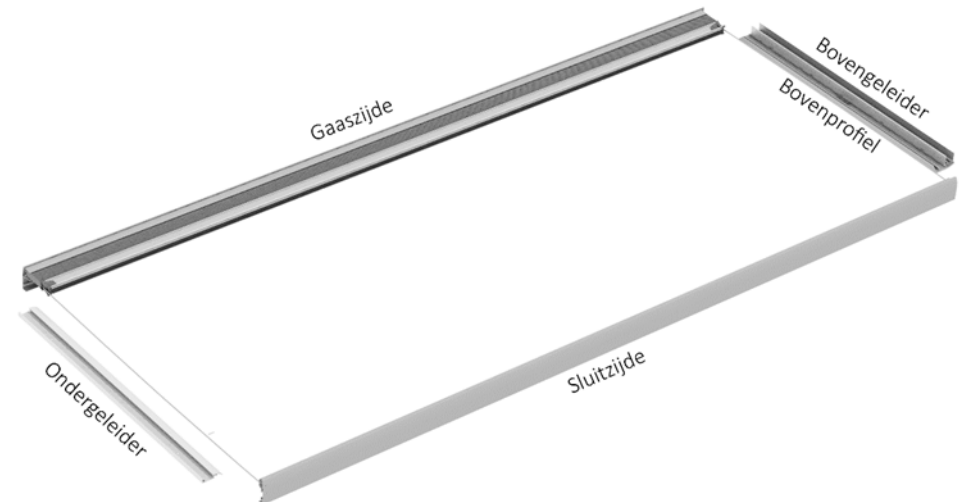
- 2 The top profile must be taken apart first
turn into. After this, one part of the top profile can be shortened.
Note: do not shorten the miter-sawn side.



- 3 Shorten the top and bottom guide with the formula:
635mm - X.



- 4 Place the profiles on a flat and clean surface.

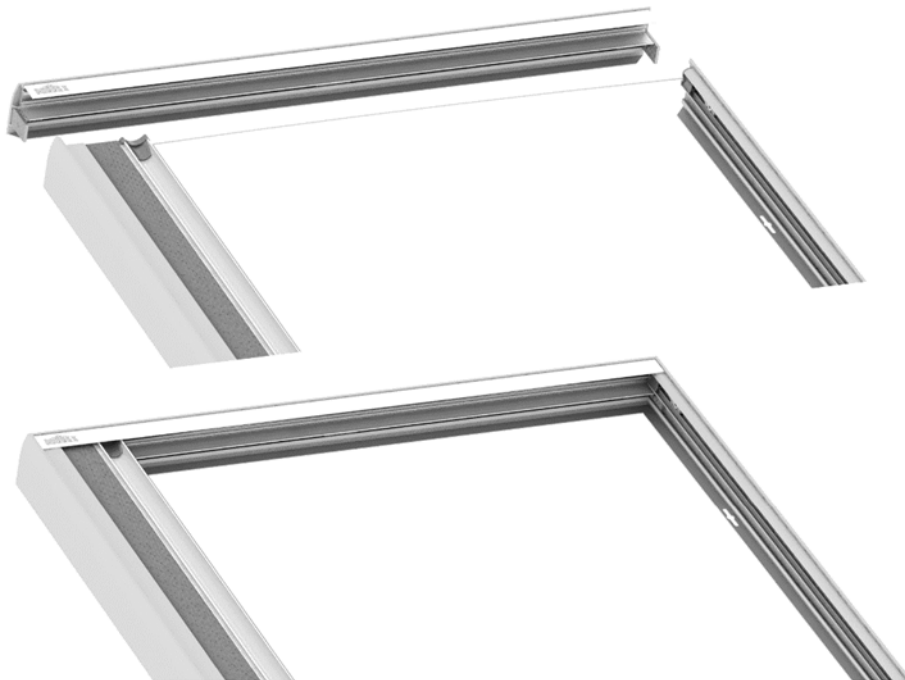




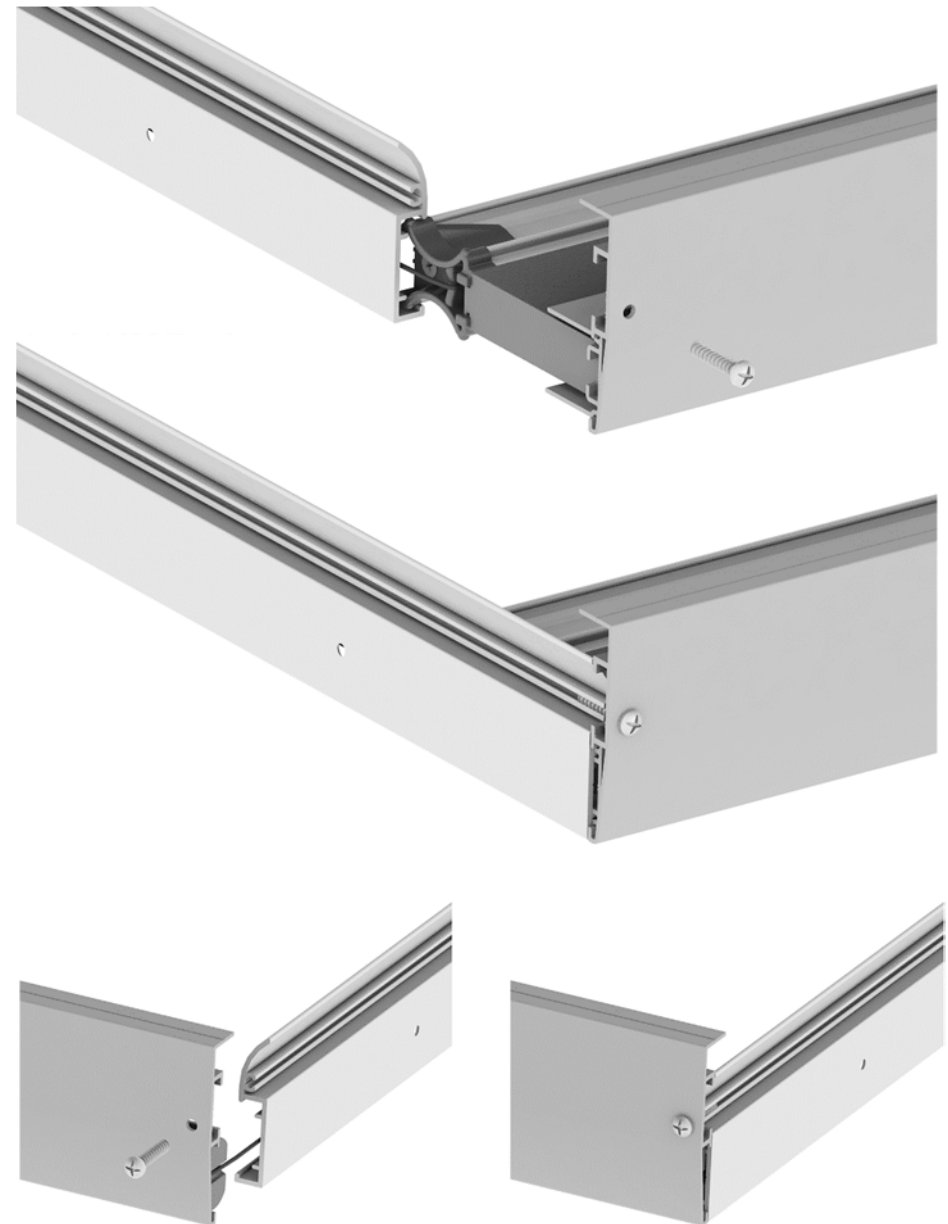
5 Slide the corner connectors into the top profile. And turn
tighten it with a 2.5mm Allen key.



6 Slide the top profile into the two side profiles.



7 Slide the bottom guide over the draw beam and attach the
bottom guide on the side profiles with screw type 1.





- 8 Move the tension block in the closing profile up to the rope is under slight tension while the draw beam remains in place. Tighten the clamping block.



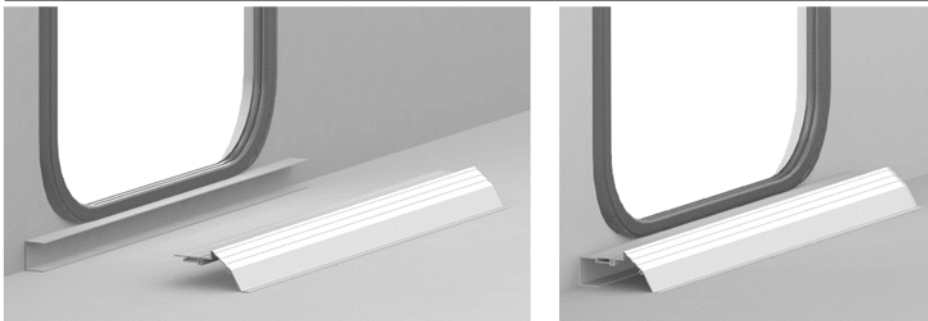
- 9 Repeat step 8 for the cord in the top profile as well.



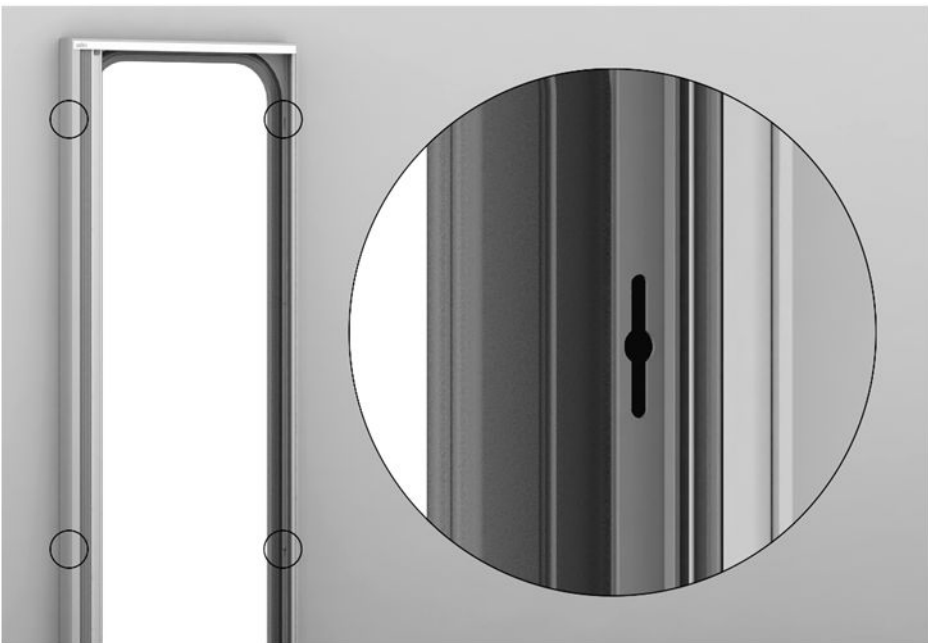


10 If you have the additional separately available sill

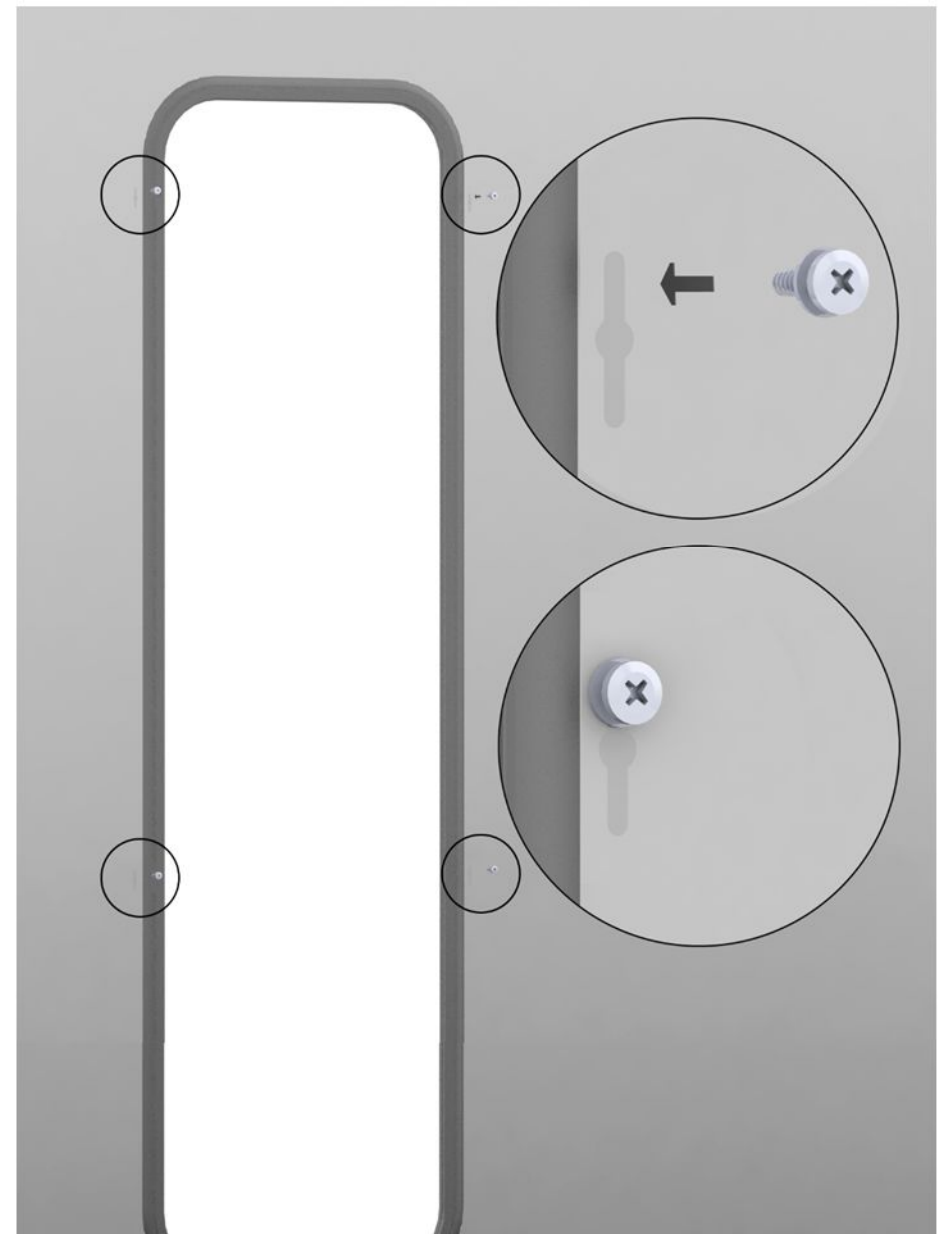
If you have chosen, you must first place the U-profile against the wall with double-sided tape and slide the sill over it. If you have not opted for the extra sill, you can continue with step 15.



11 Put the door on the sill and against the wall and draw the 4 slotted holes on the wall.



12 Remove the door from the wall and screw the four type 3 screws into the wall at the marked position.





13 Hang the door on the 4 screws and fix the bottom guide in the sill.



14 Fasten the bottom guide to the sill with 2 type 2 screws.

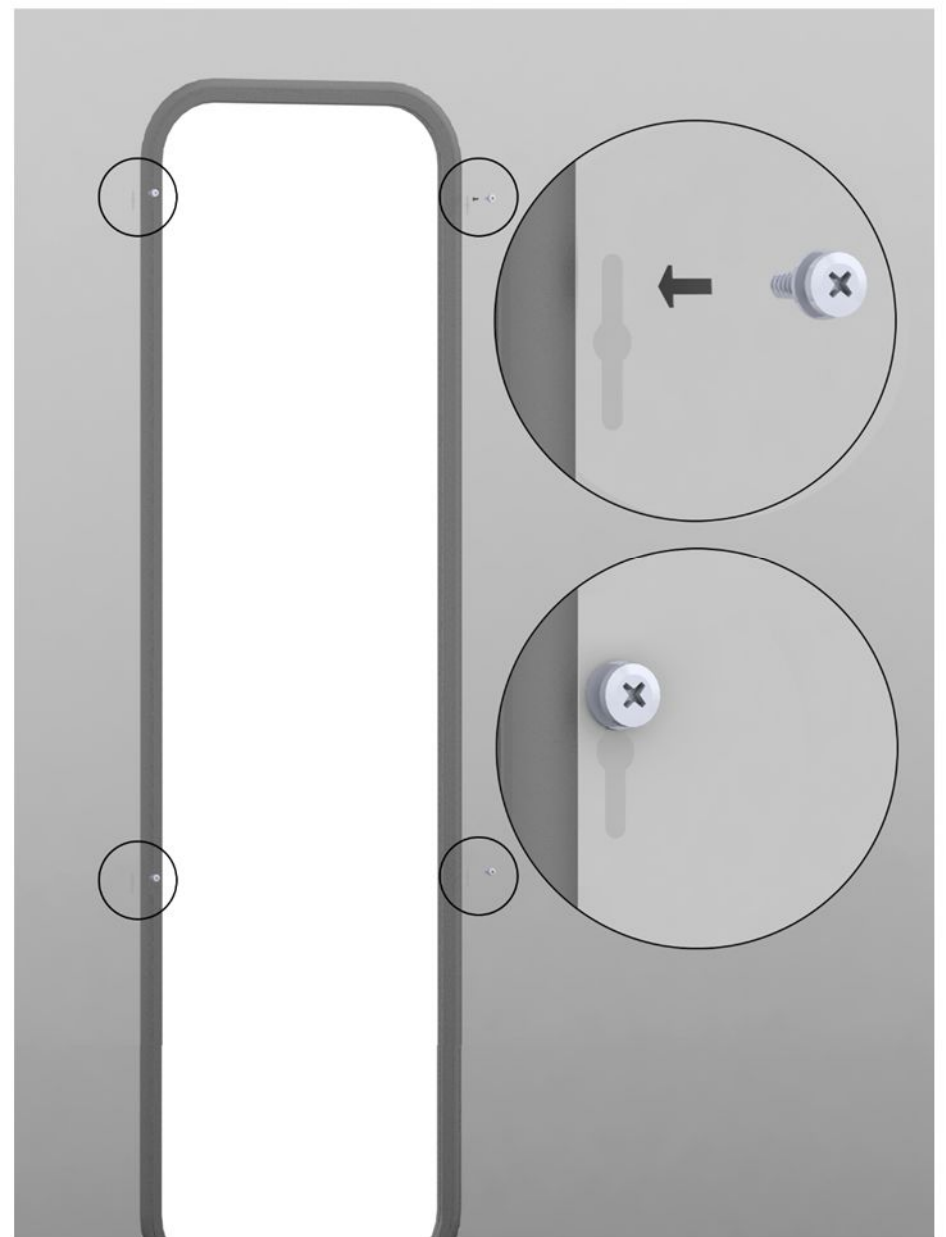




15 Place the door against the wall and draw the position of the 4 slotted holes on the wall.



16 Screw the four type 3 screws onto the marked position in the wall.





17 Hang the door on the four screws.



18 Screw the bottom guide into the floor with 2 type 2 screws.

